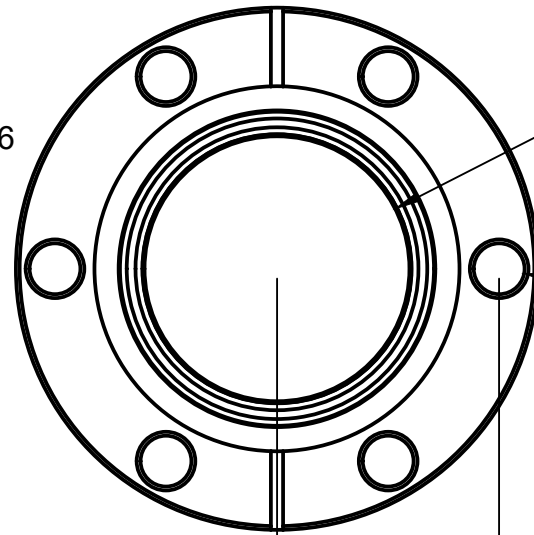


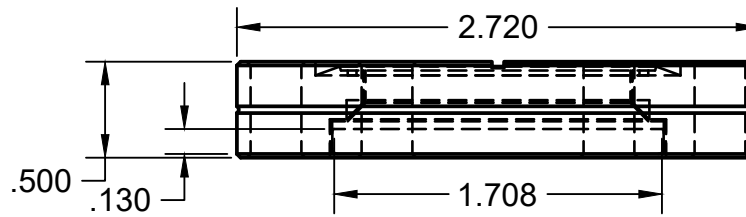
Ø1.726



Ø1.380

Ø.265

1.156

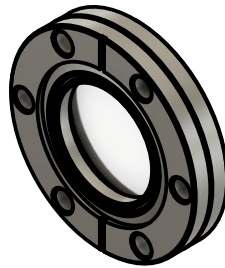


2.720

.500

.130

1.708



PROJECT

2.75" Conflat Based High Vacuum System - V4

TITLE

2.75" Conflat Fused Quartz Viewport

APPROVED

CHECKED

DRAWN

Michael Bretti

2/7/2018

SIZE

A

CODE

DWG NO

REV

SCALE 1:1

WEIGHT

SHEET 1/1